



GD1xxC

Conventional Gas detectors

- **GD100C: Methane, CH₄, gas detector IP55**
- **GD102C: Petrol steam gas detector IP55**
- **GD104C: Hydrogen gas detector, H₂, IP55**
- **GD105C: Liquid propane gas detector, LPG, IP55**
- **GD106C: Propane gas detector, C₃H₈, IP55**
- **GD109C: Acetylene gas detector, C₂H₂, IP55**
- **GD113C: Carbon Monoxide, Electrochemical cell, CO, IP55**

Gas detectors GD1xxC range consists on conventional detectors that use **new generation of semi-conductors**: more **sensitive** and more **accurate** in sampling, better **stability** in time, better **rapidity** for response, and **poor sensitivity** regarding humidity. Moreover, a **performing electronic of control minimizes consumptions**; this makes GD1xxC range detectors **adaptable** for intermediate/large size installations.

Gas detectors of the GD100C range are dedicated to tertiary and industrial applications. **They have been submitted to the tests certifying their compliance with standards**

Housed in a metal box **IP55**, all reference of gas detectors GD1xxC range also exists in addressable version (see dedicated datasheet).

GDREL optional board makes possible to adapt any conventional GD1xxC gas detector to other non-SD3 panels by allowing the use on the gas detector of relays to repeat the information of Alarm, Pre-alarm and fault.

Alarm and pre-alarm concentration and delays can be modified with the optional programming tool **DETTEL**.



Main characteristics

- IP55
- CE certified
- Programmable pre alarm/alarm filter: 0 to 240s
- Programmable pre alarm/alarm thresholds
- Fully compatible with conventional SD³ panels range
- Optional relay board for all panels compatibility

Electrical specification

	GD100C CH ₄	GD102C Petrol steam	GD104C H ₂	GD105C LPG	GD106C C ₃ H ₈	GD109C C ₂ H ₂	GD113C CO
Main supply voltage	12 – 28 Vcc						
Quiescent current at 24V at 12V	28 mA 55 mA	28 mA 55 mA	28 mA 55 mA	28 mA 55 mA	28 mA 55 mA	28 mA 55 mA	8mA 16mA
Programmable pre alarm/alarm factory thresholds (in LEL: Lower Explosive limit or in PPM: parts per million)	15%LEL - 30%LEL	15%LEL - 30%LEL	15%LEL - 30%LEL	15%LEL - 30%LEL	15%LEL - 30%LEL	15%LEL - 30%LEL	100ppm - 200ppm

Mechanical characteristics

Dimensions (mm)	H:145, W:100, D:60
Weight	360g
Material	Dust proof metal
IP rating	IP 55

Climatic characteristics

Operating temperature	0°C ... 45°C
-----------------------	--------------

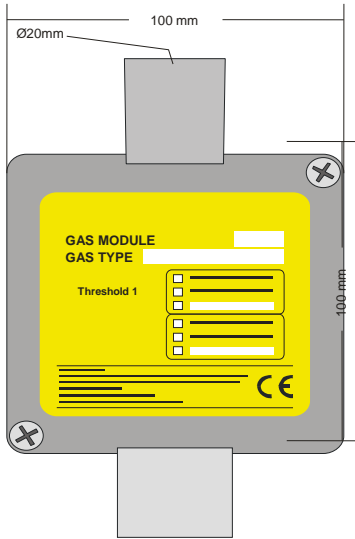
Detection line consumption

Standby	40uA +/- 2 uA
Pre-alarm	30 mA +/- 2 mA
Alarm	60 mA +/- 2 mA
Fault	No consumption (line open)

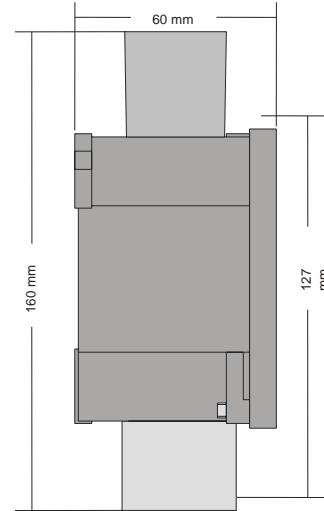
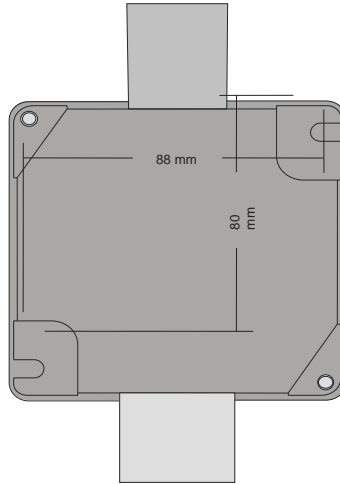


GD1xxC

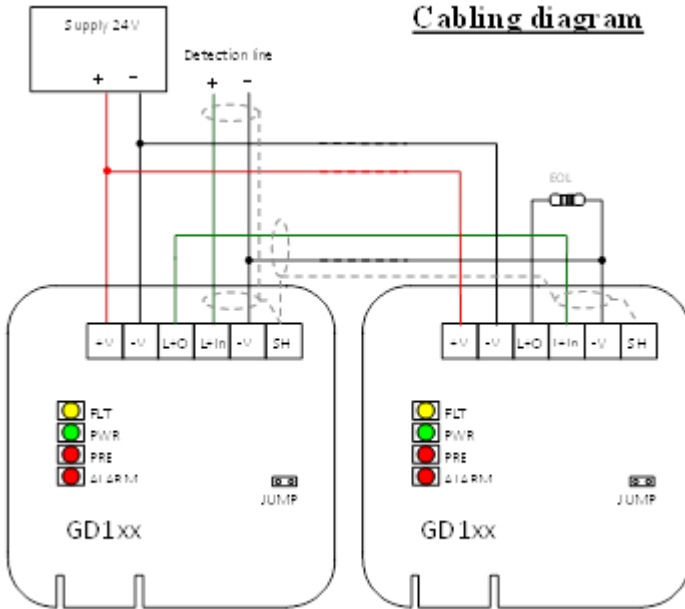
Conventional Gas detectors



Size and assembly



Cabling diagram



- +V** + Detector supply (12Vpp...28Vpp)
- V** - Detector supply
- L+O** + Detection line output
- L+In** + Detection line input
- V** - detection line
- SH** Detection line shield

- ALARM** Led ON indicates alarm condition
- PRE** Led ON indicates pre-alarm condition
- PWR** LED ON indicates supply Ok, OFF indicates supply missing
- FLT** Led ON indicated circuit fault
- JUMP** Jumper open (default): management of pre-alarm status activated.

REFERENCE

GD100C
GD102C
GD104C
GD105C
GD106C
GD109C
GD113C

DESCRIPTION

Conventional Methane gas detector, CH₄, IP55
Conventional Petrol steam gas detector, IP55
Conventional Hydrogen gas detector, H₂, IP55
Conventional Liquid propane gas detector, LPG, IP55
Conventional Propane gas detector, C₃H₈, IP55
Conventional Acetylene gas detector, C₂H₂, IP55
Conventional Carbon Monoxide, Electrochemical cell, CO, IP55

ACCESSORIES/OPTIONS

DETEL
GDREL
P7150V
MEGAS
COGAS
VPGAS

Remote control with display and keypad for gas detector
Plug-in 3 relay card, NO-NC 30V/1A
Test kit for gas detector
Methane gas test bottle
Carbon monoxide gas test bottle
Petrol steam gas test bottle

