

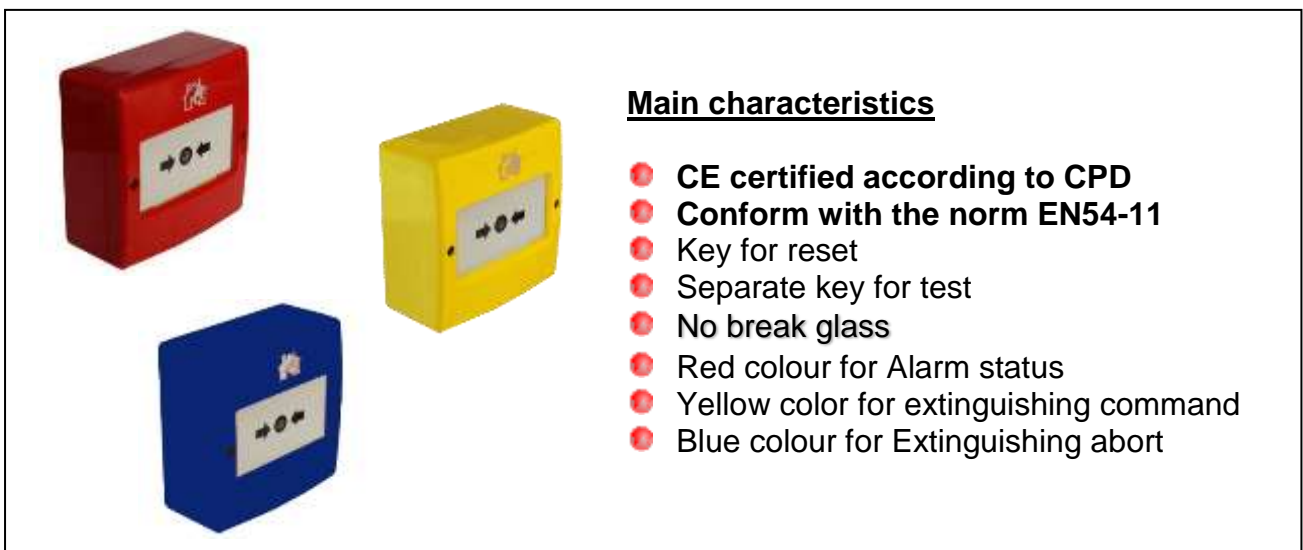
# DMCL05, DMCL05-J, DMCL05-B

## Conventional manual call point. CE CPD certified

- **DMCL05: Conventional manual call point with LED**
- **DMCL05-J: Conventional manual call point with led, yellow colour**
- **DMCL05-B: Conventional manual call point with led, Blue colour**
- **CE certified according to CPD**

**DMCL05, DMCL05-J and DMCL05-B** manual call points are devices of transmission of an **alarm** status (normative red colour), **extinguishing command** (normative yellow colour) and **extinguishing abort** (normative Blue) towards **conventional indicating panel**. This action is carried out by the operator through mechanical pressure on the window located in the front. Return to the normal status can be done only after **local resetting using a special key**.

Usually, connection is carried out with **shielded cable from 0,5mm<sup>2</sup> to 2,5mm<sup>2</sup>** for conventional systems following the indications screen printed on the printed circuit. Shield must be **protected** by an insulator tape in order to avoid any short-circuit.

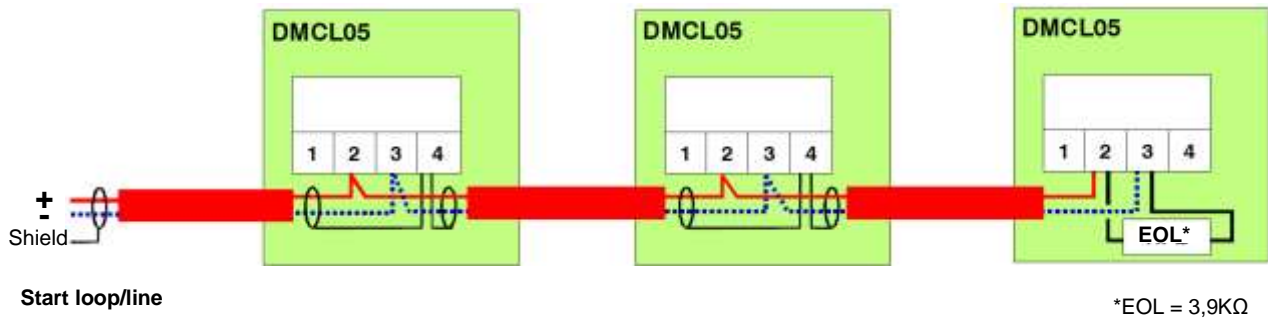


<b>Power supply specification</b>	
Main supply voltage	13V to 30Vdc
Nominal main supply voltage	20Vdc
Quiescent current	0 $\mu$ A
Alarm current	35mA @ 24Vdc
<b>Mechanical characteristics</b>	
Unit weight	140g
Unit dimensions (in mm)	99 x 98 x 49
Unit row material	ABS
Unit colour	Red
Protection class	IP33
<b>Climatic characteristics</b>	
Operating temperature	-10°C to +60°C
Storage temperature	+10°C to +50°C
Operating relative humidity	$\leq$ 93%
Storage relative humidity	$\leq$ 85%

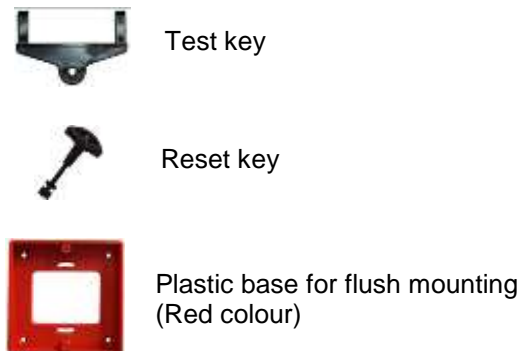
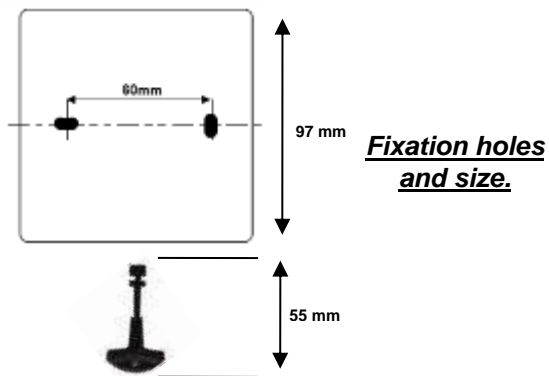
# DMCL05, DMCL05-J, DMCL05-B

Conventional manual call point. CE CPD certified

## Connection diagram



- 1/ All cables shall be protected by cover.
- 2/ Cables should be exposed of at least 8mm.
- 3/ End of line resistor is provided with FDS panel.



STS 6535



**WATERPROOF IP65 HOUSING BOX**  
including conventional manual call point with reset.

## REFERENCE

REFERENCE	DESCRIPTION
DMCL05	Conventional manual call point resettable with led, EN54-11, CE certified according to CPD
DMCL05-J	Conventional manual call point resettable with led, EN54-11, CE certified according to CPD Yellow colour
DMCL05-B	Conventional manual call point resettable with led, EN54-11, CE certified according to CPD Blue colour
STS6535	Waterproof IP65 housing box for conventional manual call point with reset (provided without MCP)

## ACCESSORIES

PEDM	Plastic base for flush mounting MCP, double action
VPDM	Transparent lift-up protective cover for MCP, double action
KCTDM	Kit of 10 reset keys for MCP
CTDM	Test Key

